

The right to make engineering refinements on all products is reserved. Dimensions and details are subjects to change without prior notice. When dimensions are critical, the dimensions should be confirmed by Survitec Group Limited

**MATERIAL:**

CYLINDER: STEEL  
 OPERATING HEAD : ALUMINIUM WITH CATAPHORESE  
 THERMOPLASTIC COATING (INSIDE)

**COATING:**

PLUG: BLACK  
 CYLINDER: POLYESTER COATING  
 RED RAL 3000 IN COMPLIANCE WITH ISO 2409

FIRE RATING : 21A 75F  
 CO2 CYLINDER SIZE : 60 g  
 CAPACITY : 6 L  
 MIN DISCHARGE TIME : 31 s  
 DISCHARGE RANGE : 3 m  
 TEST PRESSURE : 26 bar  
 WORKING PRESSURE : 11,2 bar  
 CLASS : A F  
 DESIGN STANDARD : APPROVAL GS;  
 PED

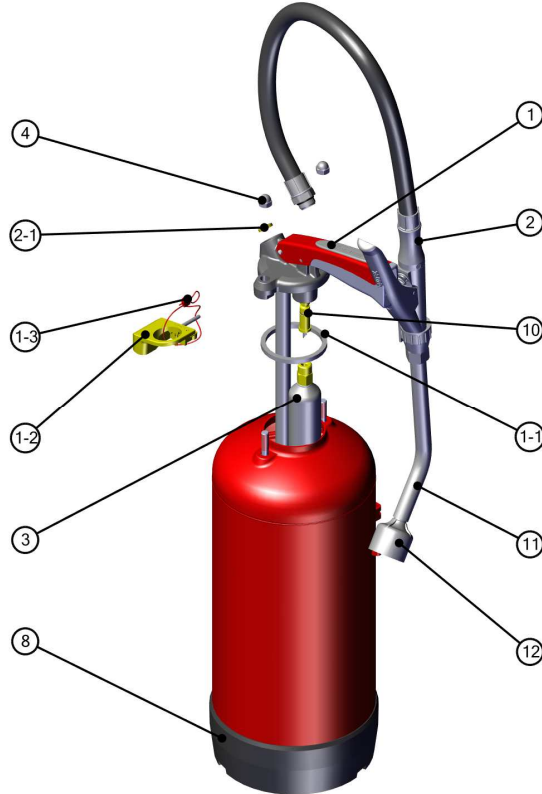
**WEIGHT:**  
 EMPTY WITH CO2 : 6 kg  
 FULL : 12 kg

TEMPERATURE OF USE : -20°C and +60°C

DELIVERED FILLED WITH RC 50

USE ON VOLTAGE OVER 1000V. UP TO 35 Kv ACCORDING  
 TO LABEL INSTRUCTION ON FIRE EXTINGUISHER

CARTRIDGE MUST BE RENEWED AFTER 10 YEARS



Irrevocably recharge after use.  
 Check regularly for maintenance  
 or recharging only use products  
 with their pins corresponding  
 to the certified nozzle.

• EXTINGUISHING AGENT:  
 60 bar PREMIX RC50  
 • PROPPELLANT AGENT:  
 CO2 (G)  
 • TYPE:  
 AL6F  
 Series 2  
 PE: 10 bar - V: 80bar  
 • APPROVAL:  
 Tested and Approved according to EN1  
 • Lower atmospheric  
 temperatures:  
 -20°C up to +60°C



**survitec**

**FIRE EXTINGUISHER**

6 L FOAM

21A 75F

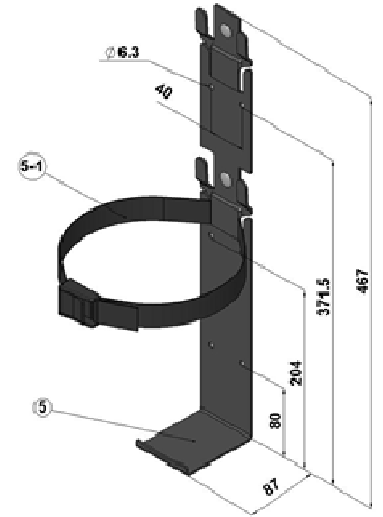
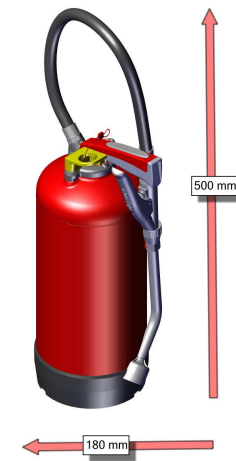
1. Remove safety pin
2. Press down on operating lever
3. Squeeze trigger and point the spray at base of flames

**For use on cooking oil and fats fires**

Avoid any direct contact of the nozzle with electrical conductor; in case of use on voltage under 1000 V, keep nozzle at a minimum distance of 0,5m. This fire extinguisher is compatible to use on voltage over 1000V by authorized staff according to regulations in force, provided that following distances are respected:  
 - Up to 20 kV : keep nozzle at minimum distance of 1 m.  
 - From 20 kV to 35 kV : keep nozzle at minimum distance of 2 m.

**AL6F**

Survitec Group Limited  
 1-5 Bouffon Road - Brierley Wood, Moxley, UK, CH41 1TH  
 Tel: +44 151 6205000 E-mail: info@survitecgroup.com  
 Website: www.survitecgroup.com  
 Produced in France - France



TYPE	PROD NO
EXTINGUISHER WITH MARINE BRACKET	766980
EXTINGUISHER WITHOUT MARINE BRACKET	763870

13	1	CO2 cartridge cap 1000 pck (n°7) from July 2002	758599
12	1	Filter F/E9/E9A1/E9A1EV/E6A15EVF 20 Pck	671503
11	1	Spray nozzle F/E6A15EVF	767115
10	1	Striking pin F/all cart. portable ext. 10 pck	671495
9	1	Premix RC50	02302161
8	1	Base prot. F/All cart. portable ext.	668947
7	1	Service safety pin 10 pck	669697
6	1	Label F/E6F DESAUTEL 10 pck	767114
5-1	1	Strap F/M. bracket F/All cart. portable ext./U5C 5 pck	669655
5	1	Universal M. Bracket W/strap F/P6/P6P/P9P/P12/P12P/E9/E9A1/E9A1EV/E6A15EVF	711416
4	2	Headcap nuts M8 F/All cart. portable ext. 10 pck	667634
3	1	CO2 cartridge 60g F/E6F	668178
2-2	1	O-ring F/All cart. portable ext. 10 pck	03123461
2-1	1	Water bursting disk 50pck	766957
2	1	Hose W/nozzle F/E6A15EVF M18	766958
1-3	1	Wire and seal F/All ext. 90 pck	667600
1-2	1	Safety pin yellow F/All cart. portable ext. 10 pck	667592
1-1	1	Valve seal F/P25/P25P/All cart. portable ext. 25 pck	667584
1	1	Headcap w/o hose F/E6AF w/o cartridge M18	766964
ITEM	NO OF	DESCRIPTION	PROD NO



Rev no.	03	Drawn by/date BM 01/05/2018
		Issued by/date BM 01/05/2018
		Approved by/date

Main product group or System

**SURVITEC PORTABLE FIRE  
 FIGHTING EQUIPMENT**

Product

**WET CHEMICAL EXTINGUISHER 6L  
 MODEL AL6F**

Product no. **SEE TABLE**

Data sheet no. **29-00-110**

6080121 Ed03